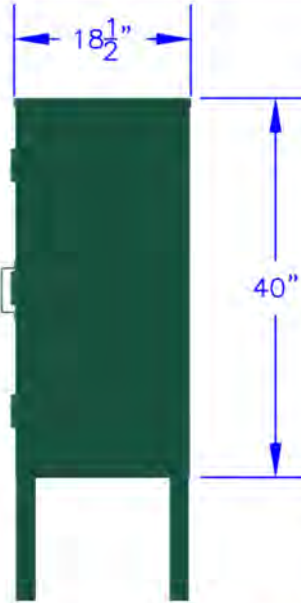


FRONT VIEW



RIGHT VIEW



ISOMETRIC VIEW

FOREST GREEN

## Campsite Food Storage Locker

Heavy duty 16 cubic foot storage locker designed for safe, secure and convenient food storage in outdoor parks and recreation areas.

Includes Paddle Latch with Safety Release and Cover. Components, layout and access are designed to be ADA Compliant, easy and safe to operate.

Optional Features Include:

1. Locking Hasp with Latch Hook & Cable
2. Fixed Shelf with 10" of Vertical Space
3. Mount Post(s) for 36" Deep Ground Anchor

Made in America with heavy duty components, hinges and high quality 14-gauge steel for main body/shelves & 12-gauge steel for the top. Mounting foot plates included for secure ground anchors.

Vibrant finish using industry leading UV and corrosion resistant, weather proof powder coat offered in the standard colors shown.



BLUE



GRAY



BURGUNDY



TAN



WHITE



BROWN



BEARICUDA BINS - PO Box 56, 3 West St.,  
Ste 3E, Litchfield, CT 06759-0056 877-232-7428  
www.bearicuda.com

PRODUCT: LOC101

DESCRIPTIC

Whistler Outdoor Locker (LOC101)

DETAILS: SHOWN WITH PADDLE LATCH & SHELF OPTION

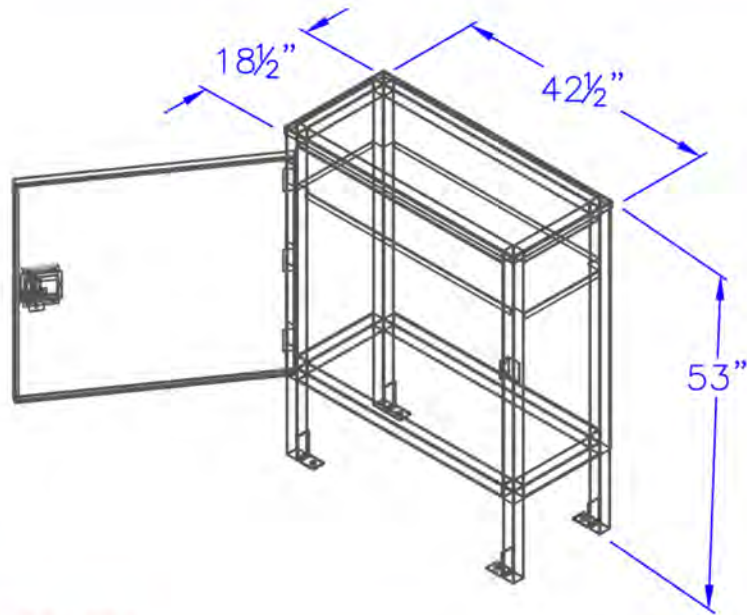
SCALE: LOC101

DATE: 06-01-23

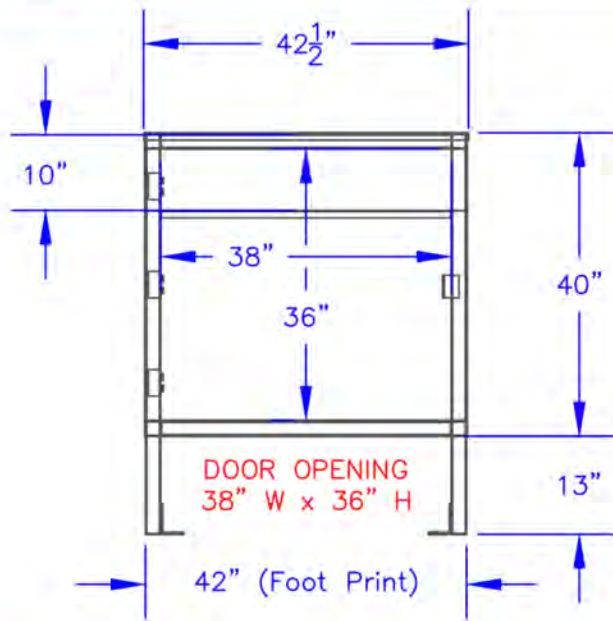
# 16 Cubic Foot Campsite Food Storage Locker

## Fabrication Specifications

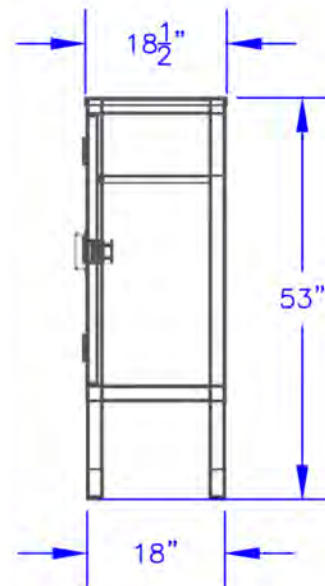
DIMENSIONS	42 1/2" Width x 18 1/2" Depth x 53" Height
INTERIOR SPACE	16 Cubic Feet (Approximate)
WEIGHT	240 Lbs. (Approximate - w/o Hardware)
FRAME	14 GA HR Steel 2" x 2" Square Tube
BODY & SHELVES	14 GA HR Steel
DOOR(S)	14 GA HR Steel
TOP	12 GA HR Steel
CATCHES & HASPS	10 GA HR Steel
HINGES	1/4" PLATE



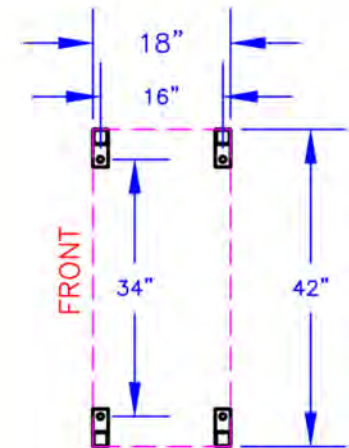
ISOMETRIC VIEW



FRONT VIEW



RIGHT VIEW



MOUNTING SPECS



BEAR CUDAS BINS - PO Box 56, 3 West St.,  
Ste 3E, Litchfield, CT 06759-0056 877-232-7428  
www.bearcudas.com

DESCRIPTION: CAMPSITE FOOD STORAGE LOCKER 16 CU FT

SCALE: 1:25

PRODUCT Whistler Outdoor Locker (LOC101)

DATE: 06-01-23

DRAFTER: R.SAHOTA

MATERIAL: AS NOTED

PATH NAME: BEARPROOF\ LOC101

TOLERANCES: ± .0313 AND .5"

SHEET 1 OF 1



FOREST GREEN



GRAY



BROWN



BLUE

